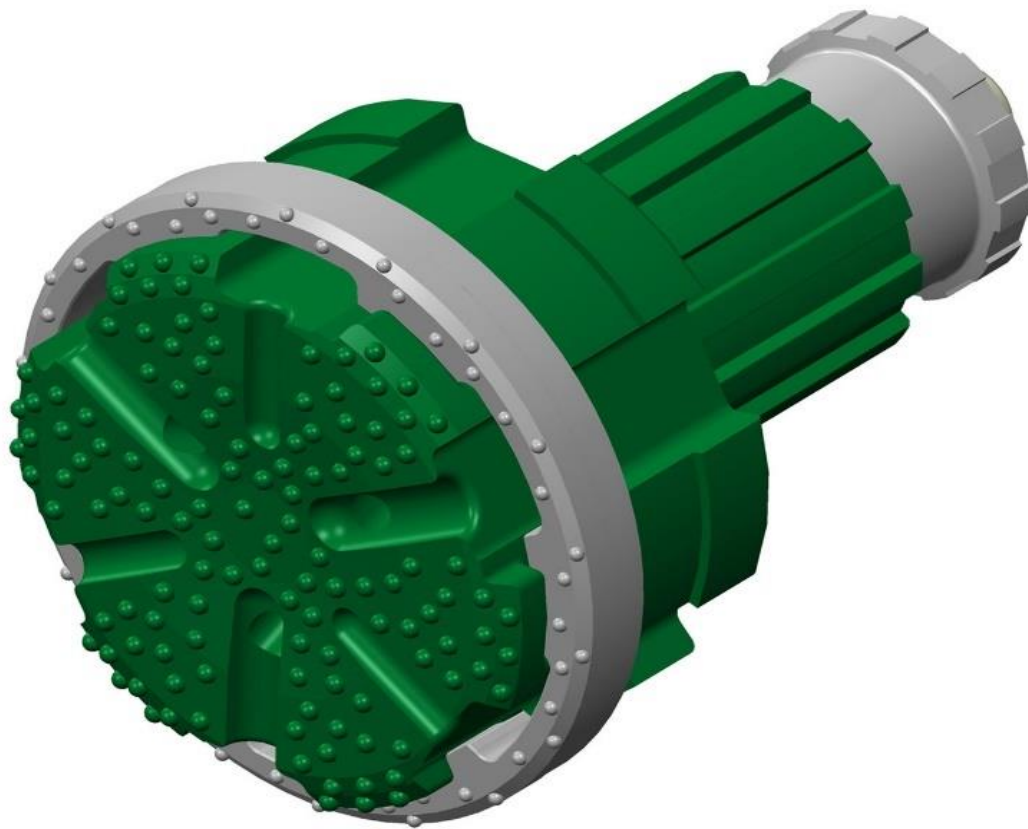


Ming

Concentric Overburden Casing System

MRS-610/12.7 & Rock-socket Button Bit

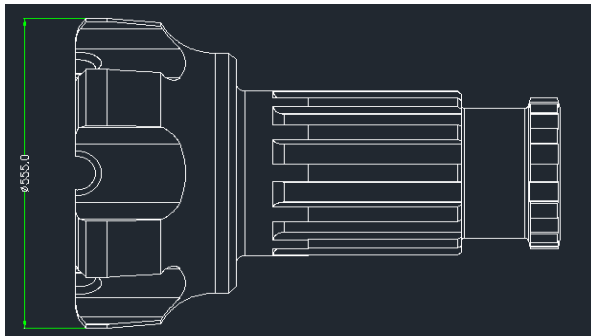


Ming

Concentric Overburden Casing System

SPECIFICATION

Ming System : MRS-610/12.7



PART LIST

NO.	Part Name	Part No.
1	Driver Bit	MRSDB560N180
2	Ring	MRS560R

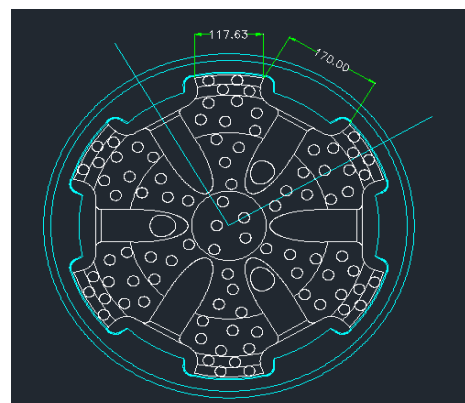
SPECIFICATION

ITEM	SIZE
Driver Bit Upper Body	581mm
Driver Bit Lower Body	558mm
Casing Bit Outer Dia.	642mm
Casing Bit Inner Dia.	510mm

APPLICABLE

ITEM	SIZE
Casing Outer Dia.	610mm
Casing Wall Max.	12.5mm
Hammer	Chuck N180

Rock-socket Button bit Outer Dia. 555mm



MING MACHINERY COMPANY LIMITED

Tel : 3705 9834 / 3705 9835

Fax: 3705 9871

www.mingdthrockdrills.com

Email: info@mingmac.com.hk

